

Class G Fuse Holders

Specifications:

- Tested and Approved for 100,000 Amp Withstand Rating and Short Circuit Withstand Rating
- Clip, Copper Alloy, Tin Plated
- Quick Connect Standard with Screw (S) or Sems Pressure (SP)
- For box connectors, internal hex screw option available
- UL Listed File No. IZLT.E35113
- CSA Certified File No. LR21455
- **CE**
- RoHS Compliant

1/2 - 15 Amps (600 Volt)

Replace "X" with # of poles

Catalog #		Poles (X)	Amps	Base Materials	Wire Range	Fuse Size	Fuses
Standard	Reinforced						
G15AXSQ	RG15AXSQ	1/2/3	15	Thermoplastic	#10-#22 AWG CU	13/32" DIA BY 1 5/16"	AG
G15AXSPQ	RG15AXSPQ				#10-#14 AWG CU		SC
G15AXB	RG15AXB				#6-#14 AWG CU		SLC
G15AXBCU	RG15AXBCU						



G15A3SPQ

20 Amps (600 Volt)

Catalog #		Poles (X)	Amps	Base Materials	Wire Range	Fuse Size	Fuses
Standard	Reinforced						
G20AXSQ	RG20AXSQ	1/2/3	20	Thermoplastic	#10-#22 AWG CU	13/32" DIA BY 1 13/32"	AG
G20AXSPQ	RG20AXSPQ				#10-#14 AWG CU		SC
G20AXB	RG20AXB				#6-#14 AWG CU		SLC
G20AXBCU	RG20AXBCU						



G20A3SQ

25-30 Amps (480 Volt)

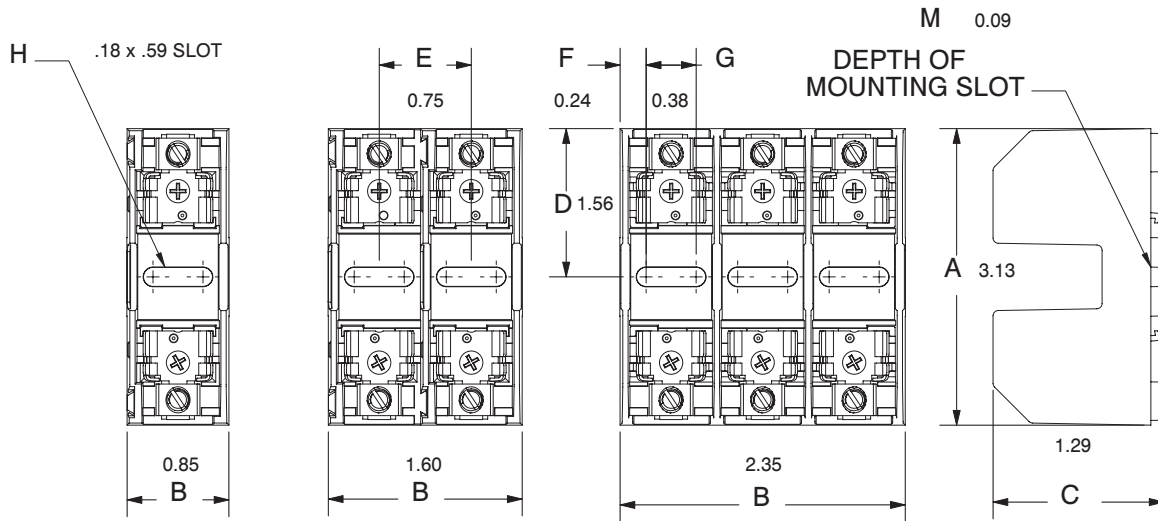
Catalog #		Poles (X)	Amps	Base Materials	Wire Range	Fuse Size	Fuses
Standard	Reinforced						
G30AXSQ	RG30AXSQ	1/2/3	30	Thermoplastic	#10-#22 AWG CU	13/32" DIA BY 1 5/8"	AG
G30AXSPQ	RG30AXSPQ				#10-#14 AWG CU		SC
G30AXB	RG30AXB				#6-#14 AWG CU		SLC
G30AXBCU	RG30AXBCU						



G30AXB

See pages 33-34 for available covers
See page 35 for DIN Rail Adapter

Copper Box Connectors are available on 30 and 60 amp fuse holders.
Add CU after the catalog number.



mm = dim X 25.4

For electronic drawings or 2D/3D CAD data, submit request at www.marathonsp.com/drawings.html